

**CALUMET**  
PHOTOGRAPHIC  
IT'S WHERE THE PROS GO

U.S.A. 630.860.7447 x2258  
United Kingdom 08000 964396  
Germany 040 4231600  
Belgium +31 20-697-7171  
Netherlands 020-697-7171

## Calumet Genesis One-year Limited Parts-and-Labor Warranty

Calumet warrants the Genesis Flash Units to be free from defects in material and workmanship for one year from date of purchase. Should you experience any problems with your flash unit, you should return it to your place of purchase. Calumet Photographic will, at its option, repair or replace it without charge, subject to the following limitations and exclusions:

- Warranty extends to the original purchaser only and is not transferable or assignable.
- Returned product must be accompanied with proof of purchase.
- Warranty shall not apply to any product which has, in Calumet's judgment, been subject to misuse, abuse, negligence, accident or unauthorized repair.
- Tube, lamp, pc cord, fuse and power cord are not covered by this warranty.

Calumet's obligation is limited to repair or replacement only, and no one is authorized to assume any obligation not in accordance with the above. For technical assistance, call the location nearest you:

**CALUMET**  
PHOTOGRAPHIC

[www.calumetphoto.com](http://www.calumetphoto.com) © CALUMET PHOTOGRAPHIC, INC. 2007

**CALUMET**

# GENESIS

**USER GUIDE**



*For Calumet Genesis 200*

Dear Valued Customer,

Thank you for choosing the Calumet Genesis flash system. The Genesis was designed to be a portable, versatile and easy-to-use flash solution for a wide range of lighting situations.

Calumet offers a variety of light control accessories that will expand your shooting options and allow you to handle everything from portraits to product tabletops. For details of all related products, please visit [calumetphoto.com](http://calumetphoto.com), click on your country of choice (DE, NL, UK or USA) in the far upper right-hand corner of the home page, or click on "Locations" icon to find the retail location nearest you.

In order to obtain the full benefit from your purchase, please take a few moments to familiarize yourself with this user manual.

Thank you,  
Calumet Photographic

### Genesis features

- Variable-flash power
- Built-in adjustable photo cell sensor (infrared and flash sensitive)
- High-quality, user-changeable flash tube
- Easy-to-use digital controls
- 5-volt sync voltage suitable for digital cameras
- Proportional modeling lamps
- Easy-lock reflector mount
- Charge indication lamp/sound
- Fan-cooled for consistent and dependable operation
- 1-year limited warranty

- Always exercise care when handling equipment that has been in use. The reflector and front end of the unit can become Very Hot.
- Always avoid placing cables where they can be tripped over. Protect from heavy, sharp or hot objects, which may cause damage and replace damaged cables immediately.
- Due to the high voltage / high energy used in your Genesis, all servicing must be carried out by a Calumet-authorized service center.
- Always remove the power cord by gripping the plug. NEVER pull the cord.
- Always ensure that any extension cord used has a suitable current rating to prevent overheating and never use coiled extension cords.
- Always remove the flash head cover before using.

### do nots

- Do not use in an environment where moisture or flammable vapor is likely to come in contact with the unit.
- Do not restrict air vents while in use.
- Do not use a unit with damaged housing, moldings, flash tube or modeling lamp. If the unit is dropped or damaged in any way, always have it checked out before using.
- Do not operate the unit without a safe grounded AC supply.

### safety tips

#### always

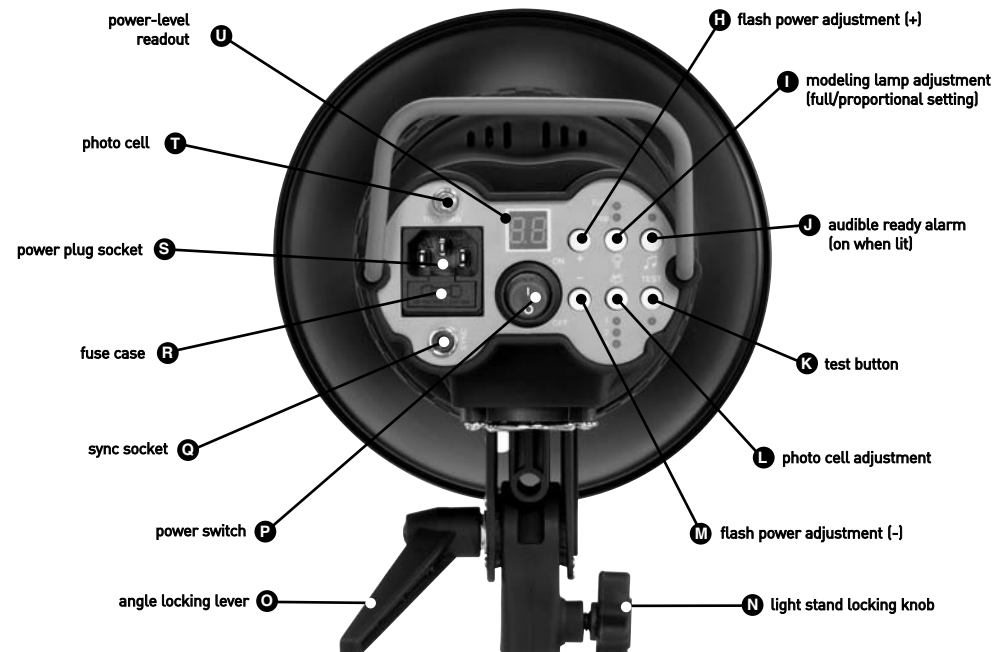
- Always switch power off and disconnect from the supply before changing modeling bulb or flash tube.
- Always disconnect the supply before changing the fuse. Never replace with a fuse of a different rating. Two spare fuses are provided.

### side view



### rear control panel

110V/60Hz U.S. model is shown on this page.



## mounting flash unit

The Genesis can be mounted to any light stand with a  $\frac{5}{8}$ " stud. Simply slide the mounting receptacle at the base of the light stand mount (**E**) over the light stand stud and tighten the light stand locking knob (**N**). To adjust the angle of the light, get a firm grasp on the carry handle (**G**), loosen the angle locking lever (**O**) and tilt the head to the desired angle and tighten the locking lever.

## switching flash on

Before connecting the flash unit to the power supply, make sure that the power switch (**P**) is in the OFF position. Connect the flash unit to the power supply using the power cord supplied, plugging it into the power plug socket (**S**) on the rear panel. Turn on the power switch. The ready charging indicator lamp (under test button) will light up at the end of charging. An audible beep sound will be heard at the end of the charge cycle if the sound button (**J**) has been pressed.

## firing flash

The flash can be triggered either by use of a sync cord between the camera and the sync socket (**Q**) or alternatively through the photo cell (**T**) with an infrared trigger or another flash unit. The flash can also be fired by pressing the test button (**K**).

**WARNING: HIGH VOLTAGE!** Do not touch the flash tube assembly for 30 minutes after disconnecting from supply.

## flash power controls

The flash power can be adjusted over a 5-stop range. These are indicated on the power-level readout (**U**) with settings between 10 (lowest) to 60 (highest). Levels are increased or decreased using the two flash power adjustment buttons (**H** and **M**) on the rear panel. After adjusting the power down to a lower level, the unit will automatically dump the previous higher charge.

## photo cell adjustment

The photo cell adjustment (**L**) gives you a choice of sensitivity levels to adapt to a variety of different types of cameras. On setting #1, the Genesis will be activated by a single on-camera flash. Setting #2 is for use with cameras that have a red-eye reduction system that preflashes once before the main flash. Setting #3 is for use with cameras that have a red-eye reduction system that preflashes twice before the main flash. The Genesis can also be activated by infrared transmitters.

## modeling lamp adjustment

Choose from three modeling lamp settings (**L**): proportional, full and off. When the Prop. light is on, the modeling lamp will go up and down in intensity as the power level is adjusted up and down. When set on Full, it will remain on full power on all settings. When no light is on, the model lamp is off.

## fitting & changing reflectors

First, be sure that the locking ring on the Genesis is turned counter-clockwise in the unlock position. Next, align the two notches at the base of the reflector with the two white lines etched into the flash unit, making sure that the umbrella hole on the reflector is towards the bottom of the unit. Slip the reflector into place and rotate it clockwise until you feel some resistance, then rotate the locking ring clockwise until it clicks into the lock position. To remove reflector, reverse this procedure.



## changing the flash tube

Switch off the flash unit and disconnect it from the AC supply, then wait until the flash tube and modeling lamp cool. Remove the reflector and modeling lamp. ALWAYS use a clean, dry cloth or cotton gloves when handling lamps and tubes to avoid getting body oil on glass. Next, unhook the wire spring that is wrapped around flash tube, then gently pull the flash tube assembly out of the unit. To replace the assembly, hold the flash tube as shown. Gently, but firmly, push the flash tube into position, rewrap the wire spring around tube and hook into place.



## changing the modeling lamp

Switch off the flash unit and disconnect it from the AC supply. Remove reflector and allow modeling lamp to cool. ALWAYS use a clean, dry cloth or cotton gloves when handling modeling lamp to avoid getting body oil on glass. Unscrew the modeling lamp, counterclockwise. Replace with same type lamp by reversing this procedure.

## changing the fuse

Switch off the flash unit and disconnect it from the AC supply. The fuse is located in the fuse case (**R**) just below the power-plug socket. Remove by placing the flat blade of a screw driver into the slot on top of the compartment and pull out on it. Remove old fuse from holding clip and replace it with one of the same amperage/voltage rating and reinsert clip. Two spare fuses are included with the unit.

## mounting an umbrella

Slide the shaft of the umbrella through the hole in the reflector and insert it into the umbrella receptacle (**D**). Turn the umbrella locking knob clockwise until it is finger tight against the shaft.

# CALUMET GENESIS 200



Specifications	Genesis 200 (U.S. model)	Genesis 200 (U.K. and European models)
Stored Energy (max.)	200w/s	200w/s
Recycle Time	1 - 3 sec.	.5 - 1.5 sec.
Working Voltage	110V/60Hz	220V/50Hz
Modeling Lamp	150w	150w
Fuse	6.3A (T6.3L250V)	6.3A (T6.3L250V)
Sync Volts	5V	5V
Sync Range	up to 33' (10m)	up to 33' (10m)
Photo Cell	yes	yes
Modeling Light Power Control	full, proportional with flash or off	full, proportional with flash or off
guide number	125 (feet)	41 (meters)
Flash Adjustment	10 - 60 (5-stop range)	10 - 60 (5-stop range)
Flash Triggering	sync cord, photo cell, test button	sync cord, photo cell, test button
Color Temperature	5500° K ±100°	5500° K ±100°
Stand Mount Size	5/8"	5/8"

## contents:

One flash unit with flash tube, modeling lamp, umbrella reflector, power cord, sync cord, protective cap and two spare fuses.

## Weight without reflector:

4.0 lbs. (1.8kg)

## Dimensions with cap (l x w x h):

11.65 x 5.5 x 8.2" (30 x 14 x 21cm)

## accessories:



A wide variety of lighting accessories including umbrellas, soft boxes and stands are available through Calumet. Visit [www.calumetphoto.com](http://www.calumetphoto.com) for a retail location near you.